

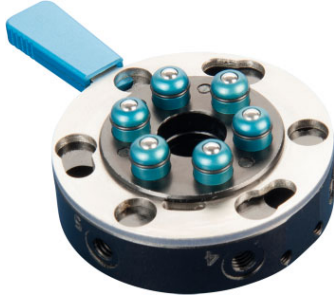


ROUND QUICK-CHANGER



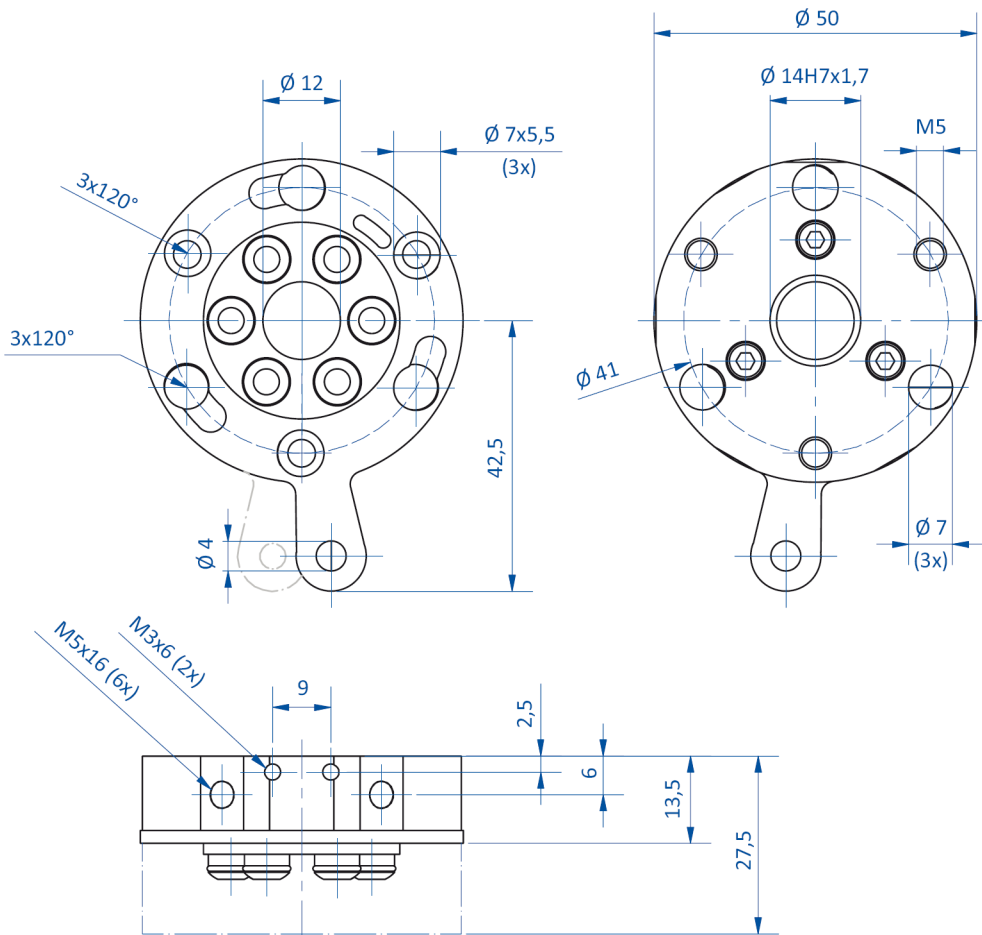
50mm Diameter – Robot Side – 6 Air Inlets

- Manual interface between Robot and Gripper Sides.
- Air connections always correctly aligned.
- Body made of anodized aluminum alloy.



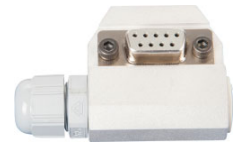
Part No. SR50-A
\$205.00

Part No.	SR50-A
Lifting Force	200 N
Number of Air Inlets	6 x M5
Working Pressure	0 - 6 bar (0 - 87 psi)
Max. Torque	50 Nm
Max. Bending Moment	30 Nm
Repeat Accuracy	+/- 0.025mm
Weight	65g

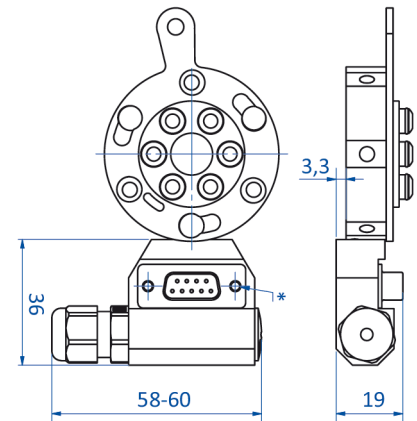


ELECTRIC MALE PLUG CONNECTOR FOR SR50-A

- Electrical interface between robot and gripper sides.
- 9 pin SUB-D plug.
- Max. cable cross section 0.14mm² based on 16-18 Gauge wire cable.



Part No. 20-537
\$157.00



PLASTIC PROCESS EQUIPMENT, INC.

8303 CORPORATE PARK DRIVE
 MACEDONIA, OHIO 44056-2300
 216-367-7000 • FAX: 216-367-7022
 TOLL FREE: 800-321-0562

6385 MONTESSOURI STREET
 LAS VEGAS, NEVADA 89113-1186
 702-433-6385 • FAX: 702-433-6388
 TOLL FREE: 800-258-8877

www.ppe.com

e-mail: sales@ppe.com

Toll Free: USA, Canada & Mexico

800-362-0706

Order Fax: 800-223-8305