

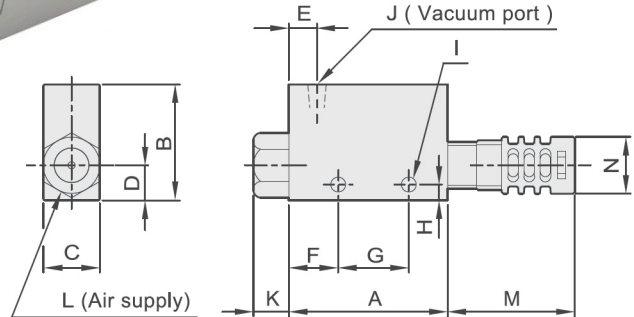
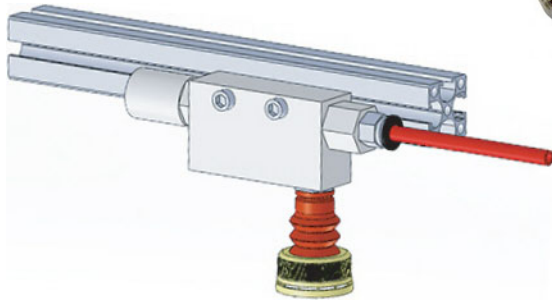


VACUUM GENERATORS

VACUUM GENERATORS WITH SILENCER



- Body made of aluminum, silencer body POM.
- Filter element in silencer body.
- Optimal Operating Pressure: 72 psi (5 bar)
- Max. Operating Pressure: 100 psi (6.9 bar)

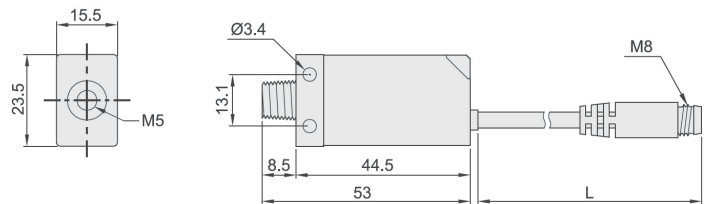
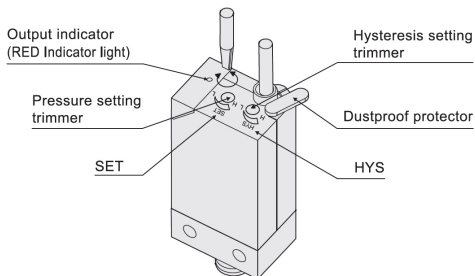
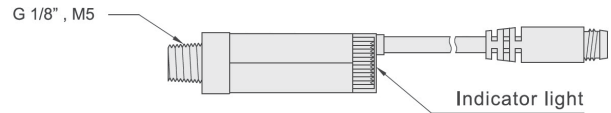


Part No.	Nozzle Dia.	A	B	C	D	E	F	G	H	I	J	K	L	M	N	Vacuum Pressure	Noise Level	Suction Flow	Air Consumption	Wt.	Price
EV05	0.5mm	45	33	16	10	8	14	20	4.5	4.2	R1/8	10	R1/8	27	16	12.6psi	68 db	.388 SCFM	.494 SCFM	80g	\$40.25
EV10	1.0mm	45	33	16	10	8	14	20	4.5	4.2	R1/8	10	R1/8	27	16	13.05psi	68 db	.706 SCFM	1.94 SCFM	80g	\$43.00
EV15	1.5mm	63	35	20	11	10	20	25	5	4.5	R1/4	15	R1/4	45.5	20	13.05psi	72 db	1.87 SCFM	5.64 SCFM	140g	\$54.00
EV20	2.0mm	85	40	30	15	13	28	32	7	6	R3/8	20	R1/4	60.5	30	13.05psi	72 db	3.03 SCFM	9.60 SCFM	350g	\$69.00
EV25	2.5mm	100	60	40	20	16	20	50	5.5	6	R1/2	17	R3/8	84.3	40	13.05psi	75 db	4.73 SCFM	14.97 SCFM	730g	\$102.00
EV30	3.0mm	118	60	40	20	20	33	50	5.5	6	R3/4	20	R1/2	84.3	40	13.05psi	75 db	7.37 SCFM	21.57 SCFM	870g	\$129.00

VACUUM MONITOR SWITCHES

PRESSURE SWITCHES FOR NEGATIVE PRESSURE

- Output Indicator Light (red).
- Adjustments made under dustproof protector.
- Pressure setting trimmer (SET) is for setting the output (ON) pressure.
- Hysteresis setting trimmer (HYS) is for changing the hysteresis.



Part No.	Signal	Air port	Operating Voltage	Measuring Range	Wt.	Price
PSV10-01GQD	NPN	G1/8 male	12~24VDC	-101 to 0 KPa	50g	\$69.50
PSV10-02GQD	PNP	G1/8 male	12~24VDC	-101 to 0 KPa	50g	\$69.50



PLASTIC PROCESS EQUIPMENT, INC.

8303 CORPORATE PARK DRIVE
 MACEDONIA, OHIO 44056
 216-367-7000 • FAX: 216-367-7022
 TOLL FREE: 800-321-0562

6385 MONTESSOURI STREET
 LAS VEGAS, NEVADA 89113
 702-433-6385 • FAX: 702-433-6388
 TOLL FREE: 800-258-8877

www.ppe.com

e-mail: sales@ppe.com

Toll Free: USA, Canada & Mexico

800-362-0706

Order Fax: 800-223-8305