

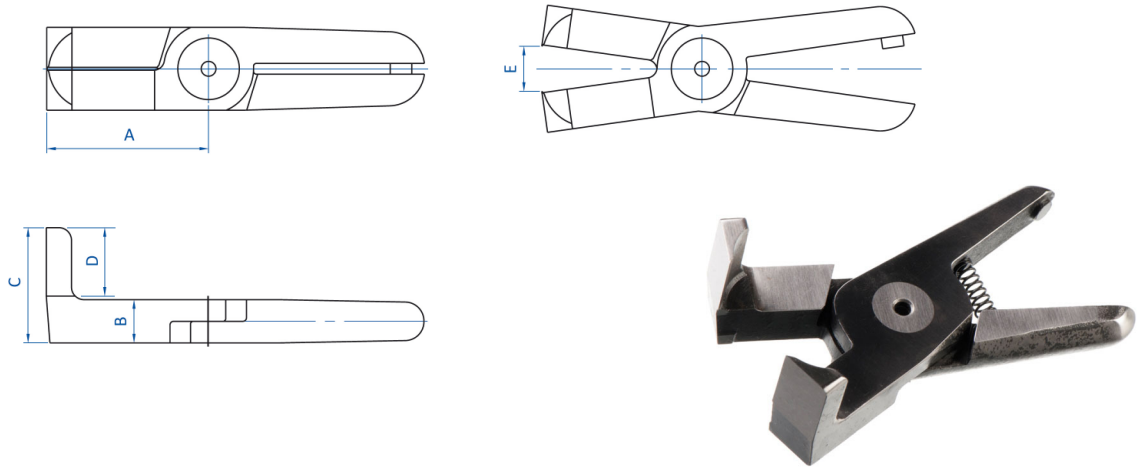


# AIR NIPPER BLADES



## ANGLED 90°

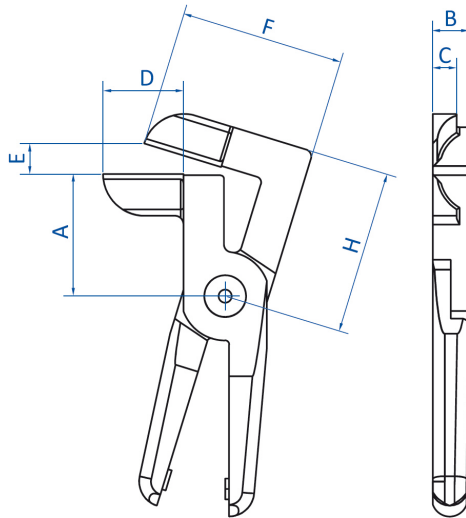
- Long blades with 90° angle for clean cuts.
- Made of ferrous alloy.



Part No.	Blade Type	Max. Cutting Thickness		A	B	C	D	E	Use with Air Nipper	Wt.	Price
		PP/PE	ABS								
N20AL	90 Degree	7	5	45	12	32	18	12	GT-NR20	135g	\$375.00
N30AL525	90 Degree	10	6.5	60	17	62	36	16	GT-NR30	395g	\$465.00

## LATERALLY FACING

- Blades with 90° bend cutting edge for sprues in restricted spaces, e.g. sprues of two opposing parts.
- Left & right blade orientation.
- Made of ferrous alloy.



Left Orientation blade type shown.

Part No.	Blade Type	Max. Cutting Thickness		A	B	C	D	E	F	H	Use with Air Nipper	Wt.	Price
		PP/PE	ABS										
N20AML	Left Orientation	10x1.5	8x1	41	12	8	27	9.5	55	55	GT-NR20	270g	\$495.00
N20AMR	Right Orientation	10x1.5	8x1	41	12	8	27	9.5	55	55	GT-NR20	270g	\$495.00
N30AML	Left Orientation	15x2	10x1.5	39	17	10	36	13	68	55	GT-NR30	520g	\$795.00
N30AMR	Right Orientation	15x2	10x1.5	39	17	10	36	13	68	55	GT-NR30	520g	\$795.00



### PLASTIC PROCESS EQUIPMENT, INC.

8303 CORPORATE PARK DRIVE  
 MACEDONIA, OHIO 44056-2300  
 216-367-7000 • FAX: 216-367-7022  
 TOLL FREE: 800-321-0562

6385 MONTESSOURI STREET  
 LAS VEGAS, NEVADA 89113-1186  
 702-433-6385 • FAX: 702-433-6388  
 TOLL FREE: 800-258-8877

www.ppe.com

e-mail: sales@ppe.com

Toll Free: USA, Canada & Mexico

**800-362-0706**

Order Fax: 800-223-8305