

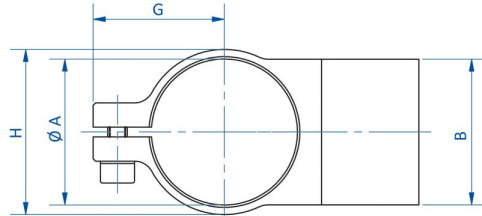
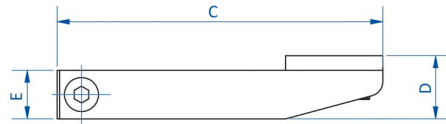


FINGER GRIPPER ACCESSORIES



FLAT GUIDE STOPS 30mm CLAMPING DIAMETER

- Made of anodized aluminum.
- Includes M5 cap screw.
- Typically used with 90° Finger Grippers for gripping part edge.

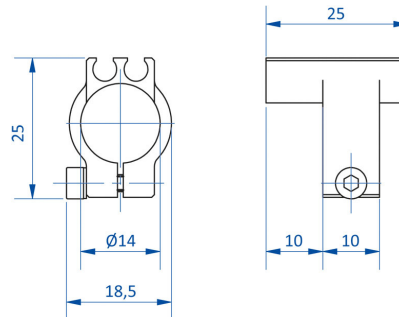


Spare 20mm x 30mm HNBR Pads
Part No.
GR04-042-HNBR
\$6.30 ea.

Part No.	A	B	C	D	E	G	H	Wt.	Price
GR04-042-H	30	30	67	13	10	27	34	23g	\$58.25

SENSOR MOUNTING BRACKET 14mm CLAMPING DIAMETER

- Made of lightweight aluminum.
- For monitoring with a sensor.



Part No.	Clamping Diameter	Sensor Slots	Wt.	Price
GR04-038S	14mm	2	6g	\$33.00



PLASTIC PROCESS EQUIPMENT, INC.

8303 CORPORATE PARK DRIVE
MACEDONIA, OHIO 44056-2300
216-367-7000 • FAX: 216-367-7022
TOLL FREE: 800-321-0562

6385 MONTESSOURI STREET
LAS VEGAS, NEVADA 89113-1186
702-433-6385 • FAX: 702-433-6388
TOLL FREE: 800-258-8877

www.ppe.com

e-mail: sales@ppe.com

Toll Free: USA, Canada & Mexico

800-362-0706

Order Fax: 800-223-8305