

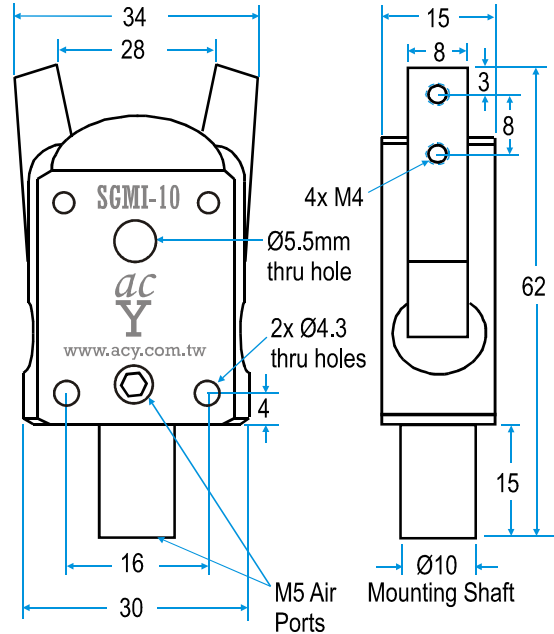


GRIPPERS



MINI SPRUE GRIPPER - CHANGEABLE JAWS

- Change jaws to handle different shapes and materials using the same gripper.
- Single acting with spring assist opening.
- Hard anodized aluminum jaws.
- Two M4 tapped holes for each jaw.
- Standard 10mm diameter mounting shaft with M5 air port. Second M5 air port on face of gripper.
- Operating Pressure: 116 psi (8 bar) max.



Part No.	Action	Sensor	Closing Force	Wt.	Price
SGMI-10	Single	No	*	43g	\$95.00

* The closing force depends on the geometry of the special customer-specific jaws.

SGMI10-F Replacement Jaws \$60.00 pr.
 SP-050331 Spare Spring for Jaws \$.95 ea.
 PN3015K Replacement Pin for Jaws \$.90 ea.

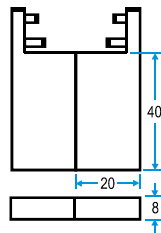
MINI CHANGEABLE JAWS

RECTANGLE JAWS

Customize your own shape from aluminum to adapt to your specific application.



CUSTOMIZABLE



Jaw Opening: 34.5mm at tip, 11.5mm at base.

Part No.	Closing Force	Wt.	Price
SGMI-10A	*	43g	\$28.00

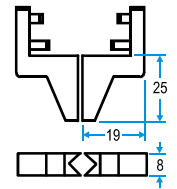
* The closing force depends on the geometry of the special customer-specific jaws.

DIAMOND SHAPED NOTCH JAWS

Grip soft gates or multicomponent systems firmly and securely.



DIAMOND SHAPED NOTCH



Jaw Opening: 26.5mm at tip, 13.5mm at base.

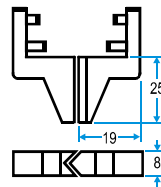
Part No.	Closing Force	Wt.	Price
SGMI-10B	5.1 lbf (23 N)	16g	\$45.00

V-SHAPED NOTCH JAWS

Grip soft gates or multicomponent systems firmly and securely with a V-shaped notch jaw.



V-SHAPED NOTCH



Jaw Opening: 28.5mm at tip, 14.5mm at base.

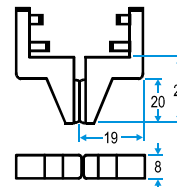
Part No.	Closing Force	Wt.	Price
SGMI-10C	5.1 lbf (23 N)	16g	\$45.00

RUBBER PADS JAWS

The rubberized gripper jaws with elastomer coating are particularly suitable for delicate gripping.



RUBBER PADS



Jaw Opening: 25.5mm at tip, 16mm at base.

Part No.	Closing Force	Wt.	Price
SGMI-10D	5.1 lbf (23 N)	16g	\$49.00

Spare Rubber Pads - Part No. SG-106-PAD \$8.00 pr.



PLASTIC PROCESS EQUIPMENT, INC.

8303 CORPORATE PARK DRIVE
 MACEDONIA, OHIO 44056-2300
 216-367-7000 • FAX: 216-367-7022
 TOLL FREE: 800-321-0562

6385 MONTESSOURI STREET
 LAS VEGAS, NEVADA 89113-1186
 702-433-6385 • FAX: 702-433-6388
 TOLL FREE: 800-258-8877

www.ppe.com

e-mail: sales@ppe.com

Toll Free: USA, Canada & Mexico

800-362-0706

Order Fax: 800-223-8305