

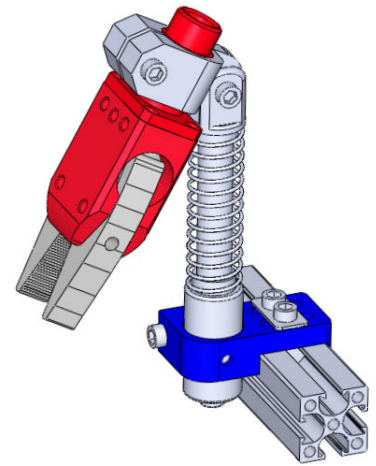
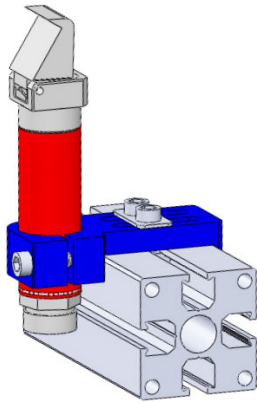
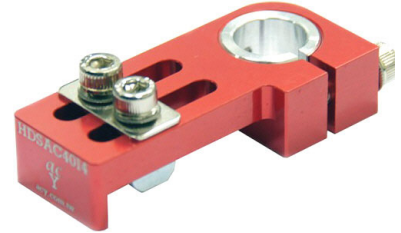
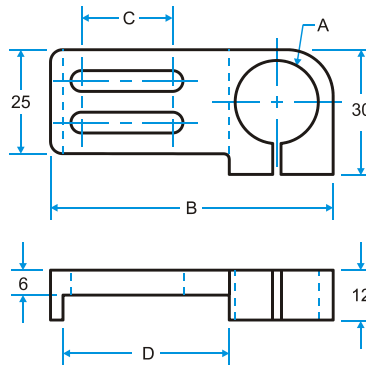


ANGLE CLAMPS



FIXED ANGLE CLAMPS

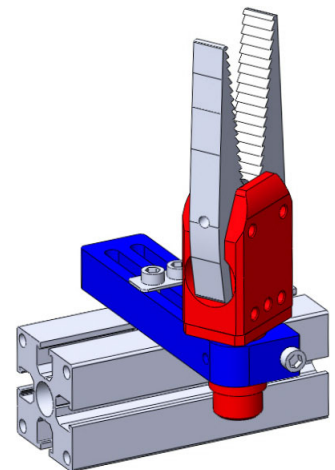
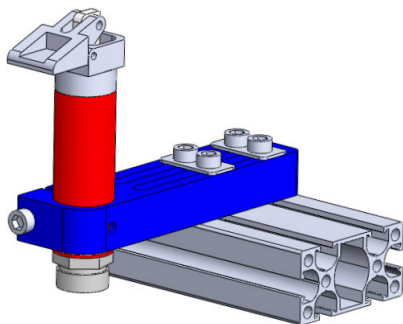
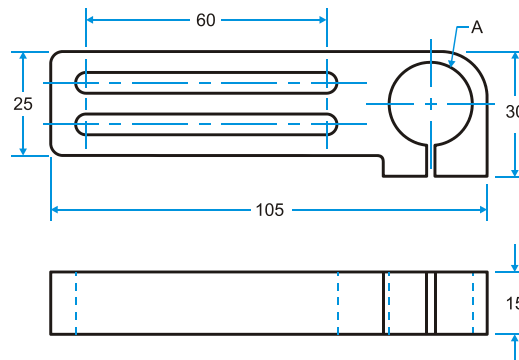
- Made of lightweight aluminum.
- Sized to fit 25mm & 40mm profiles.
- For gripper arm and tube mounting.
- Includes M5 socket head cap screws, slot nut, round washer, and a double washer.
- Square nuts designed to slide into X & J Type profiles.



Part No.	A	B	C	D	Wt.	Price
HDSAC2510	10	52	14	25	46g	\$11.50
HDSAC4010	10	68	22	40	52g	\$11.90
HDSAC2514	14	52	14	25	45g	\$11.50
HDSAC4014	14	68	22	40	51g	\$11.90
HDSAC2520	20	52	14	25	42g	\$11.50
HDSAC4020	20	68	22	40	48g	\$11.90

HEAVY-DUTY FIXED ANGLE CLAMPS

- Made of lightweight aluminum.
- For gripper arm and tube mounting.
- Includes M5 socket head cap screws, slot nut, round washer, and a double washer.
- Square nuts designed to slide into X & J Type profiles.



Part No.	A	Wt.	Price
HDAC-10	10	88g	\$17.00
HDAC-14	14	87g	\$17.00
HDAC-20	20	85g	\$16.50



PLASTIC PROCESS EQUIPMENT, INC.

8303 CORPORATE PARK DRIVE
 MACEDONIA, OHIO 44056-2300
 216-367-7000 • FAX: 216-367-7022
 TOLL FREE: 800-321-0562

6385 MONTESSOURI STREET
 LAS VEGAS, NEVADA 89113-1186
 702-433-6385 • FAX: 702-433-6388
 TOLL FREE: 800-258-8877

www.ppe.com

e-mail: sales@ppe.com

Toll Free: USA, Canada & Mexico

800-362-0706

Order Fax: 800-223-8305